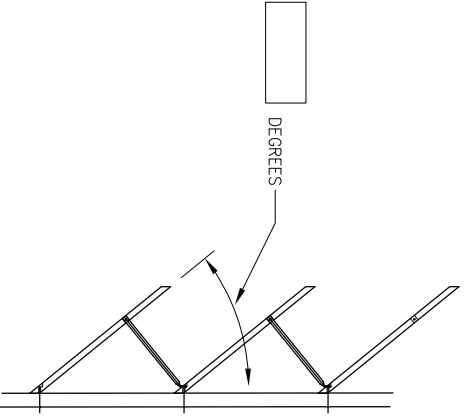


TRANSVERSE CROSS SECTION

NOTE: USE THIS DRAWING IN CONJUNCTION WITH DRAWING 05-20524 AND DRAWING 05-20525.



TYPICAL LOUVER DETAIL

TOWER INFORMATION REQUIRED

- 1) TOWER STRUCTURE
FRAMING MEMBERS ARE (WOOD OR FIBERGLASS)
NUMBER OF CELLS: _____
NUMBER OF FANS: _____
TRANSVERSE CELL WIDTH: _____
LONGITUDINAL CELL LENGTH: _____
- 2) COLUMNS
LONGITUDINAL CENTERS: _____
SIZE: _____
- 3) BRACED BENTS
NUMBER PER CELL: _____
NUMBER OF DIAG. PER BENT: _____
- 4) GIRT LOCATION
TRANSVERSE GIRTS ARE (ABOVE OR BELOW) LONGITUDINAL GIRTS
- 5) FAN DECK LEVEL GIRT SIZES
TRANSVERSE: _____ (ONE OR BOTH) SIDE(S) OF COL.
LONGITUDINAL: _____ (ONE OR BOTH) SIDE(S) OF COL.
- 6) FILL LEVEL GIRT SIZES
TRANSVERSE: _____ (ONE OR BOTH) SIDE(S) OF COL.
LONGITUDINAL: _____ (ONE OR BOTH) SIDE(S) OF COL.
- 7) TYPICAL LEVEL GIRT SIZES
TRANSVERSE: _____ (ONE OR BOTH) SIDE(S) OF COL.
LONGITUDINAL: _____ (ONE OR BOTH) SIDE(S) OF COL.
- 8) TRANSVERSE PARTITION MATERIAL THICKNESS: _____ (ONE OR BOTH) SIDE(S) OF COL.
TYPE: _____
- 9) CASING
ENDWALLS ARE (CLOSED OR OPEN)
TYPE: _____
- 10) LOUVERS
TYPE: _____
- 11) FAN DECK
TYPE: _____
- 12) COLD WATER BASIN
TYPE: _____
- 13) FILL
TYPE: _____
- 14) ELIMINATORS
TYPE: _____
- 15) HARDWARE
TYPE: _____

SPECIAL NOTES:

FILL IN ALL POSSIBLE BLANKS.
PROVIDE AS MANY SKETCHES, DRAWINGS AND PICTURES AS POSSIBLE.

INFORMATION REQUIRED FOR REPLACEMENT OF COUNTERFLOW TOWER COMPONENTS

DRAWN BY: AGHS	CHECKED BY: RDF	REVISED BY:	REV DATE:	REV CHECKED:
DATE: 6/15/2005	APPROVED BY: JHA	ORDER NUMBER:	SCALE 1 = 96	DRAWING NUMBER: 05-20523
CONFIDENTIAL: THIS DOCUMENT IS THE PROPERTY OF EVAPTECH, INC. IT SHOULD NOT BE DISCLOSED WITHOUT PRIOR WRITTEN AUTHORIZATION.				



EvapTech, Inc.
8331 Nieman Road
Lenexa, KS 66214
Ph: (913) 322-5165
Fax: (913) 322-5166