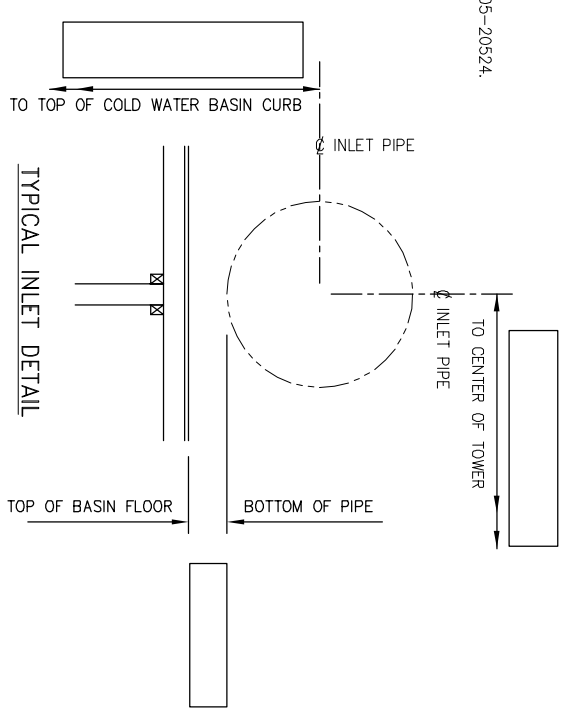


TYPICAL LOUVER DETAIL

NOTE: USE THIS DRAWING IN CONJUNCTION WITH DRAWING 05-20524.



TYPICAL INLET DETAIL

PIPING INFORMATION REQUIRED

A) INLET HEADER FLOW IN GPM: _____
 MATERIAL: _____
 DIAMETERS: _____
 LENGTH: _____

B) CUSTOMER RISER FLANGE DIMENSIONS: _____
 FLANGE DIMENSIONS: _____

TOWER INFORMATION REQUIRED

1) TOWER STRUCTURE FRAMING MEMBERS ARE (WOOD OR FIBERGLASS)
 NUMBER OF CELLS: _____
 LONGITUDINAL CELL LENGTH: _____

2) COLUMNS LONGITUDINAL CENTERS: _____
 SIZE: _____

3) BRACED BENTS NUMBER PER CELL: _____
 NUMBER OF DIAG. PER BENT: _____

4) GIRT LOCATION TRANSVERSE GIRTS ARE (ABOVE OR BELOW) LONGITUDINAL GIRTS

5) FAN DECK LEVEL GIRT SIZES TRANSVERSE: _____ OF COL.
 LONGITUDINAL: _____ OF COL.

6) HOT BASIN LEVEL GIRT SIZES TRANSVERSE: _____ OF COL.
 LONGITUDINAL: _____ OF COL.

7) TYPICAL LEVEL GIRT SIZES TRANSVERSE: _____ OF COL.
 LONGITUDINAL: _____ OF COL.

8) TRANSVERSE PARTITION MATERIAL THICKNESS: _____ (ONE OR BOTH) SIDE(S) OF COL.
 TYPE: _____

9) CASING TYPE: _____

10) LOUVERS TYPE: _____

11) FAN DECK TYPE: _____

12) HOT WATER BASIN TYPE: _____

13) FILL TYPE: _____
 SPACING: _____
 FILL IS (PARALLEL OR PERPENDICULAR) TO AIR FLOW

14) ELIMINATORS TYPE: _____

15) HARDWARE TYPE: _____

SPECIAL NOTES:

FILL IN ALL POSSIBLE BLANKS.
 PROVIDE AS MANY SKETCHES, DRAWINGS AND PICTURES AS POSSIBLE.

INFORMATION REQUIRED FOR REPLACEMENT
 OF CROSSFLOW TOWER COMPONENTS

DRAWN BY: AGHS	CHECKED BY: RDF	REVISED BY:	REV DATE:	REV CHECKED:
DATE: 6/15/2005	APPROVED BY: JHA	ORDER NUMBER:	SCALE 1 = 96	DRAWING NUMBER: 05-20522

CONFIDENTIAL: THIS DOCUMENT IS THE PROPERTY OF EVAPTECH, INC. IT SHOULD NOT BE DISCLOSED WITHOUT PRIOR WRITTEN AUTHORIZATION.



EvapTech, Inc.
 8331 Nieman Road
 Lenexa, KS 66214
 Ph: (913) 322-5165
 Fax: (913) 322-5166